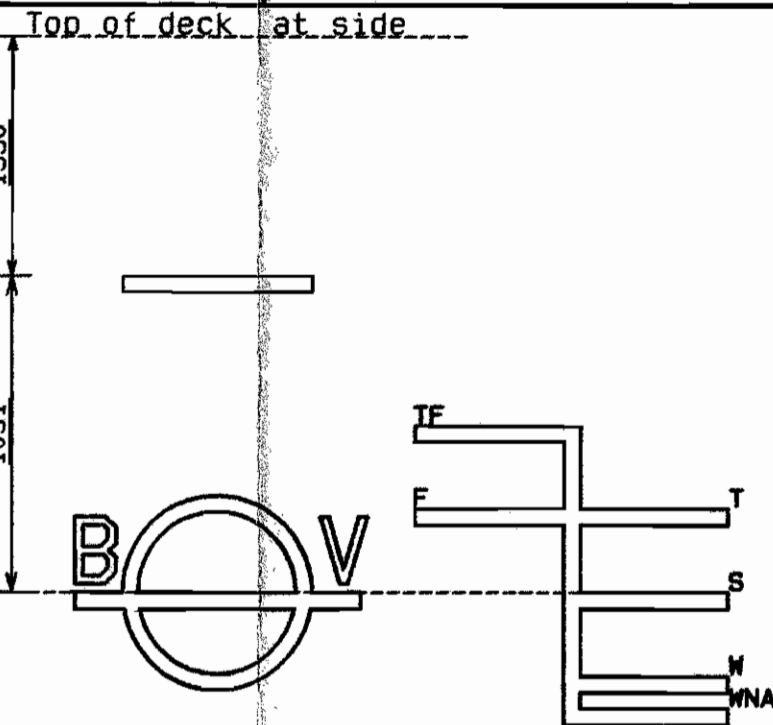


DEADWEIGHT SCALE

Freeboard in m.	SALT WATER			MEAN DRAFT in dm. from u.s. keel	FRESH WATER		
	Moment 1 cm trim change Ton x m	Tonnes per cm.	DISPL'T in tonnes		Total DEADW. in tonnes	DISPL'T in tonnes	Tonnes per cm.
2.1				64			
2.2			7500	62			
2.3							
2.4			7500	60			
2.5							
2.6			7000	58			
2.7							
2.8				56			
2.9							
3.0			6500	54			
3.1							
3.2				52			
3.3							
3.4			6000	50			
3.5							
3.6				48			
3.7			5900	46			
3.8							
3.9				44			
4.0							
4.1			5000	42			
4.2							
4.3				40			
4.4							
4.5			4500	38			
4.6							
4.7				36			
4.8							
4.9			4000	34			
5.0							
5.1				32			
5.2							
5.3			3500	30			
5.4							
5.5				28			
5.6							
5.7			3000	26			
5.8							
5.9				24			
6.0							
6.1			2500	22			
6.2							
6.3				20			
6.4							
6.5			2000	18			
6.6							
6.7				16			
6.8							
6.9				14			
7.0							
7.1							



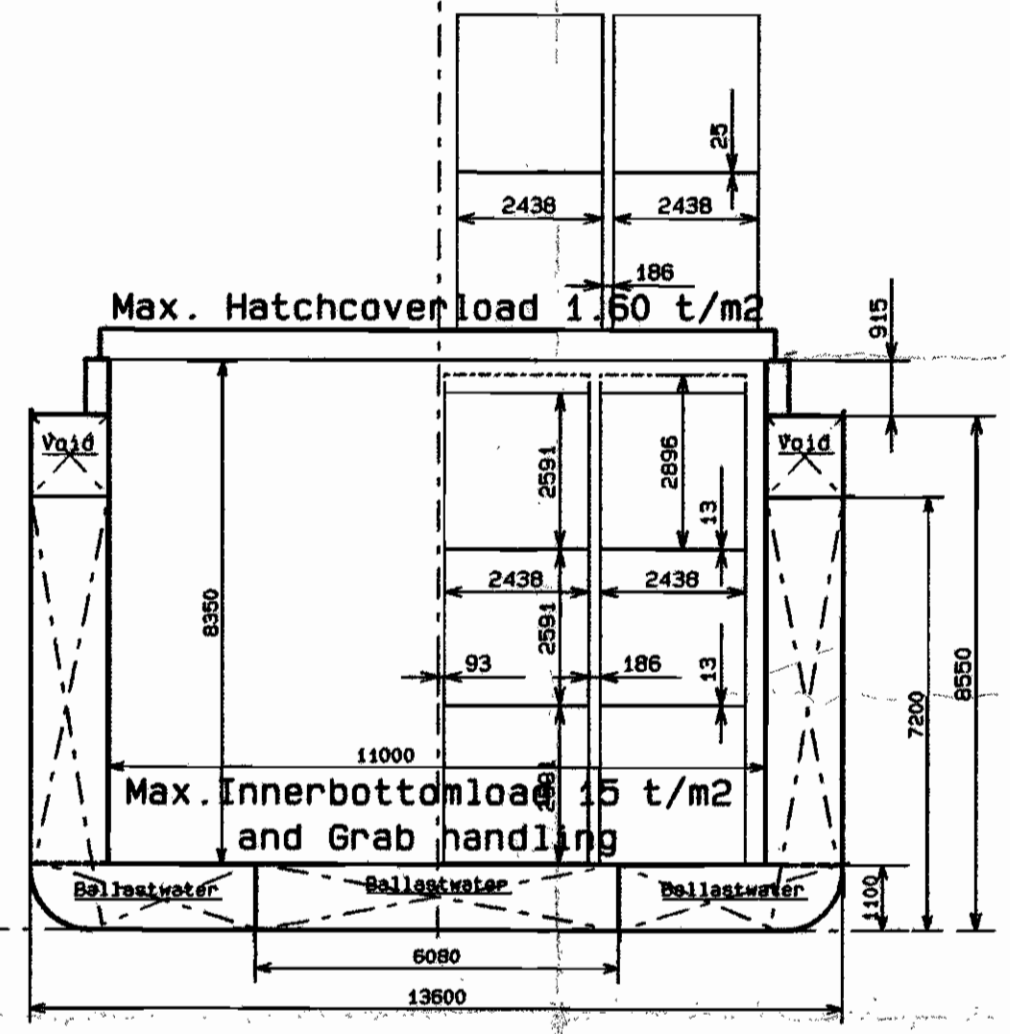
Hold- and tank capacities						Conoship	
Dry Cargo spaces						Volh 521	
Compartment	Frame numbers	Grain			Bale		
		Capacity m³	cbft	V.C.G. m	Capacity m³	cbft	V.C.G. m
Hold 1		3340	117967	5.32	72.63	3340	117967
Hold 2		3454	121983	5.28	33.35	3454	121983
Hold 1 - 6.Bhd.		3319	117224	5.31	72.74	3319	117224
Hold 2 - 6.Bhd.		3433	121241	5.28	33.47	3433	121241
Total		13547	478415	5.30	52.72	13547	478415

NOTE: The Free Surface Moments given in the last column are at the S.G. of the liquid in that tank when given in tonm.

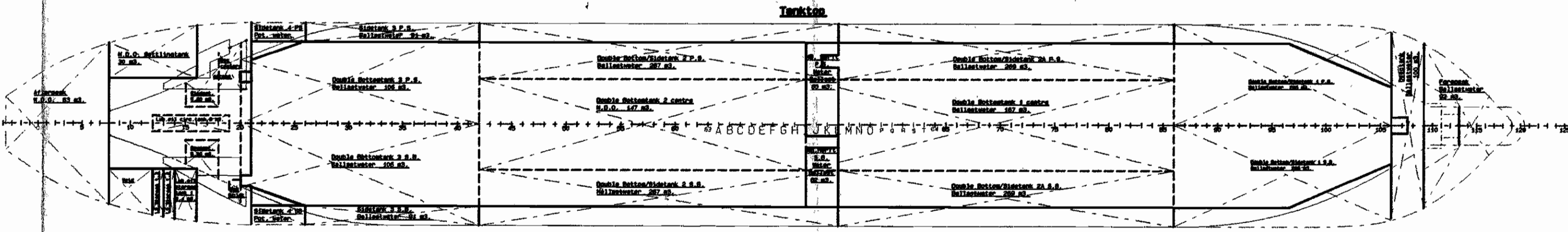
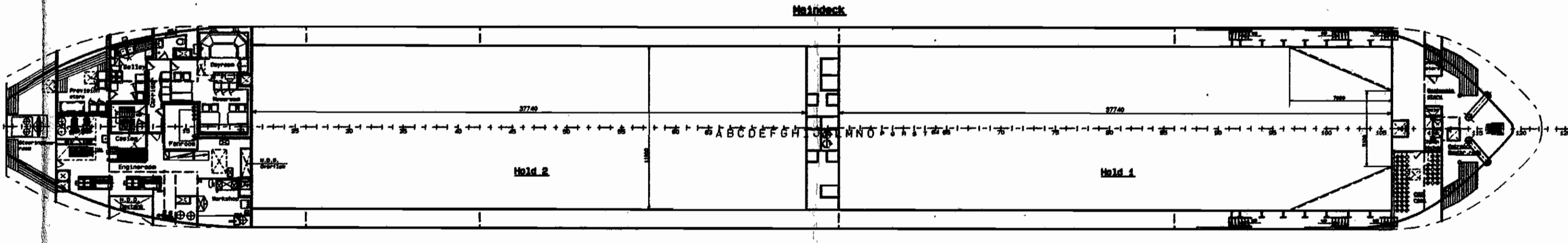
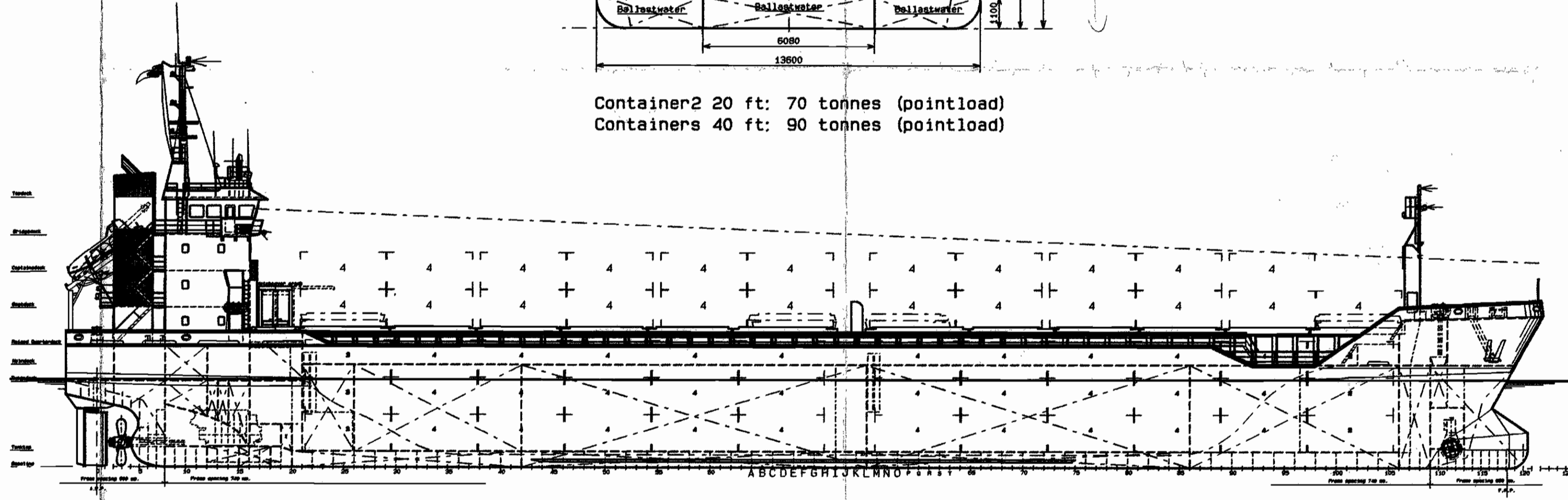
Tank capacities								Conoship	
								Volh 521	
Compartment	Frame numbers	Capacity m³	tonnes	V.C.G. m	Vert. moment tonm	L.C.G. m	Longi. moment tonm	F.S.M. tonm	
Fuel Oil tanks								S.G.=0.850 t/m³	
DB. Tank 2 centre	42-1	146.99	124.94	0.55	68.7	41.06	5130.1	349.9	
Afterpeak	aft-6	64.08	54.47	5.29	286.1	2.32	126.5	275.2	
M.D.O. Settlingtank	8-16	27.14	23.07	5.01	115.6	8.18	188.8	10.8	
M.D.O. Daytank	8-12	8.01	6.81	7.72	52.6	6.36	43.3	1.2	
Total		246.22	209.29	2.51	525.0	26.23	5488.7		
Ballastwater tanks								S.G.=1.025 t/m³	
Forepeak	109-fwd	92.15	94.46	4.15	392.0	97.23	9183.7	198.5	
Deep tank	106-109	100.00	102.50	4.34	444.3	93.20	9592.9	299.8	
DB+Side Tank 1 SB	86-106	206.18	211.34	2.96	625.8	84.60	17879.9	268.9	
DB+Side Tank 1 PS	86-106	206.07	211.22	2.96	625.6	84.61	17870.4	268.9	
DB. Tank 1 centre	I-88	166.59	170.75	0.55	93.9	64.74	11054.5	478.2	
DB+Side tank 2A SB	L-86	269.34	276.07	2.96	817.7	65.05	18179.4	101.5	
DB+Side tank 2A PS	L-86	269.34	276.07	2.96	817.7	65.05	18179.4	101.5	
MB. Herft SB	I-L	62.73	64.30	4.71	302.7	53.25	3424.0	11.8	
MB. Herft PS	I-L	65.68	67.83	4.53	398.1	53.22	4674.0	42.4	
DB+Side tank 2 SB	42-1	287.24	294.42	2.96	870.9	42.17	12415.8	109.8	
DB+Side tank 2 PS	42-1	287.24	294.42	2.96	870.9	42.17	12415.8	109.8	
DB. Tank 3 SB	20-42	105.54	108.18	0.56	60.9	22.42	2425.1	358.5	
DB. Tank 3 PS	20-42	105.54	108.18	0.56	60.9	22.42	2425.1	358.5	
Sid tank 3 PS	26-42	91.55	93.84	4.18	392.7	24.12	2263.3	2.2	
Sid tank 3 SB	26-42	91.55	93.84	4.18	392.7	24.12	2263.3	2.2	
Total		2426.74	2487.41	2.88	7166.9	57.97	144206.4		
Potablewater tanks								S.G.=1.000 t/m³	
Sid tank 4 SB	21-26	26.78	26.78	4.40	117.8	16.26	435.5	2.4	
Sid tank 4 PS	21-26	26.78	26.78	4.40	117.8	16.26	435.5	2.4	
Total		53.56	53.56	4.40	235.6	16.26	871.0		
Miscellaneous tanks									
Sewagetank SB	15-18	5.88	5.88	0.83	4.9	11.18	65.7	2.1	
Sludgetank PS	15-18	5.88	5.41	0.83	4.5	11.18	60.5	2.1	
L.O. Circulation tank		3.84	3.53	0.91	3.2	10.35	36.6	0.5	
L.O. Storage tank 1	14-16	9.15	8.42	4.71	39.6	10.01	84.3	4.6	
L.O. Storage tank 2	13-14	4.48	4.12	5.01	20.6	8.88	36.6	2.2	
L.O. Storage tank 3	12-13	3.96	3.65	5.08	18.5	8.14	29.7	1.9	
M.D.O. Overflow	20-21	3.59	3.05	7.30	22.3	14.05	42.9	0.5	
Coolwater draintank	14-15	1.20	1.20	0.87	1.0	9.63	11.6	0.2	
Total		37.98	35.26	3.25	114.7	10.43	367.8		

NOTE: The Free Surface Moments given in the last column are at the S.G. of the liquid in that tank when given in tonm.


Cross Section



Container 20 ft: 70 tonnes (pointload)
Containers 40 ft: 90 tonnes (pointload)



MAIN PARTICULARS			
Length over all		104.55	m.
Length between perpendiculars		99.78	m.
Breadth moulded		13.60	m.
Depth		7.20	m.
Draft fr. base		6.178	m.
Deadweight (excl. grainbulk.)	abt.	5745	t.
Capacities:			
Hold 1	abt.	3340	m³.
Hold 2	abt.	3454	m³.
Total Hold	abt.	6794	m³.
Ballastwater	abt.	2427	m³.
Potablewater	abt.	54	m³.
M.D.O.	abt.	246	m³.
Containers in hold			
on hatches		92	TEU
total		227	TEU
Tonnage		3330	GT.
Class: B.V.			



PATTJE SHIPYARDS
GRONINGEN - HOLLAND
Phone: 31.50.4046900
Fax: 31.50.4046999

CONOSHIP INTERNATIONAL
GRONINGEN - THE NETHERLANDS

CONOSHIP INTERNATIONAL
GRONINGEN - THE NETHERLANDS

CAPACITY PLAN

SCALE: 1:250 DATE: 29-11-01 YARD NO. Volh 521 DRAWING NO. 003 SHEET: 1

DRAWN BY: W. Gerrits VERSION: