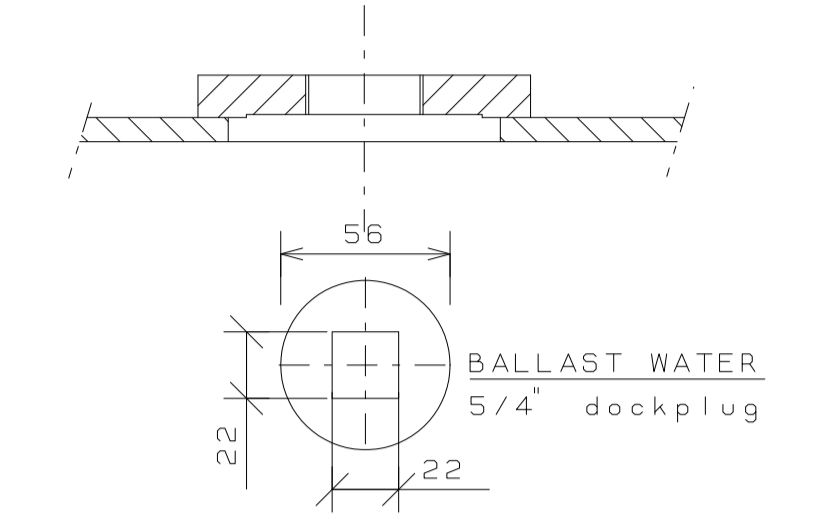
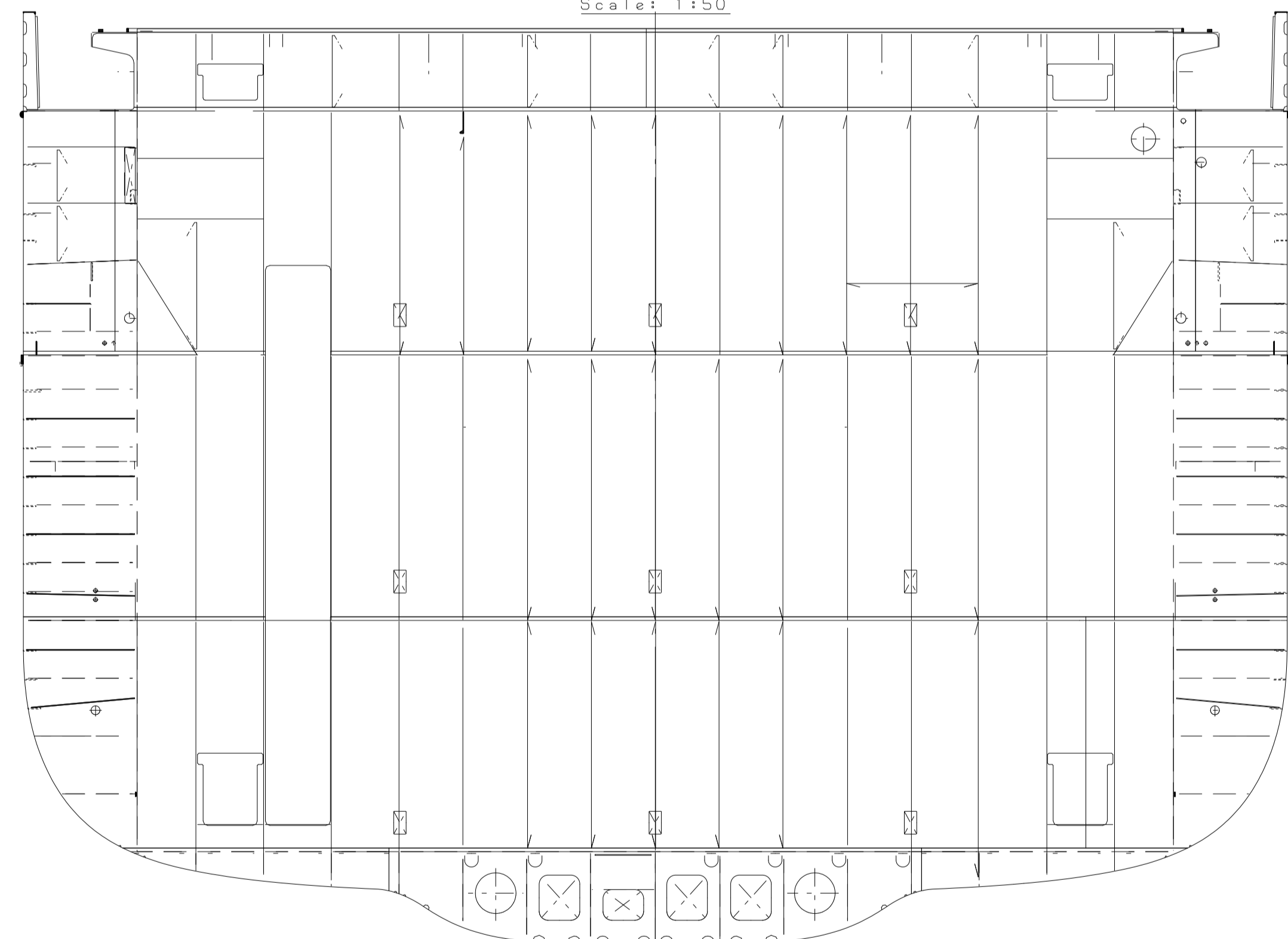


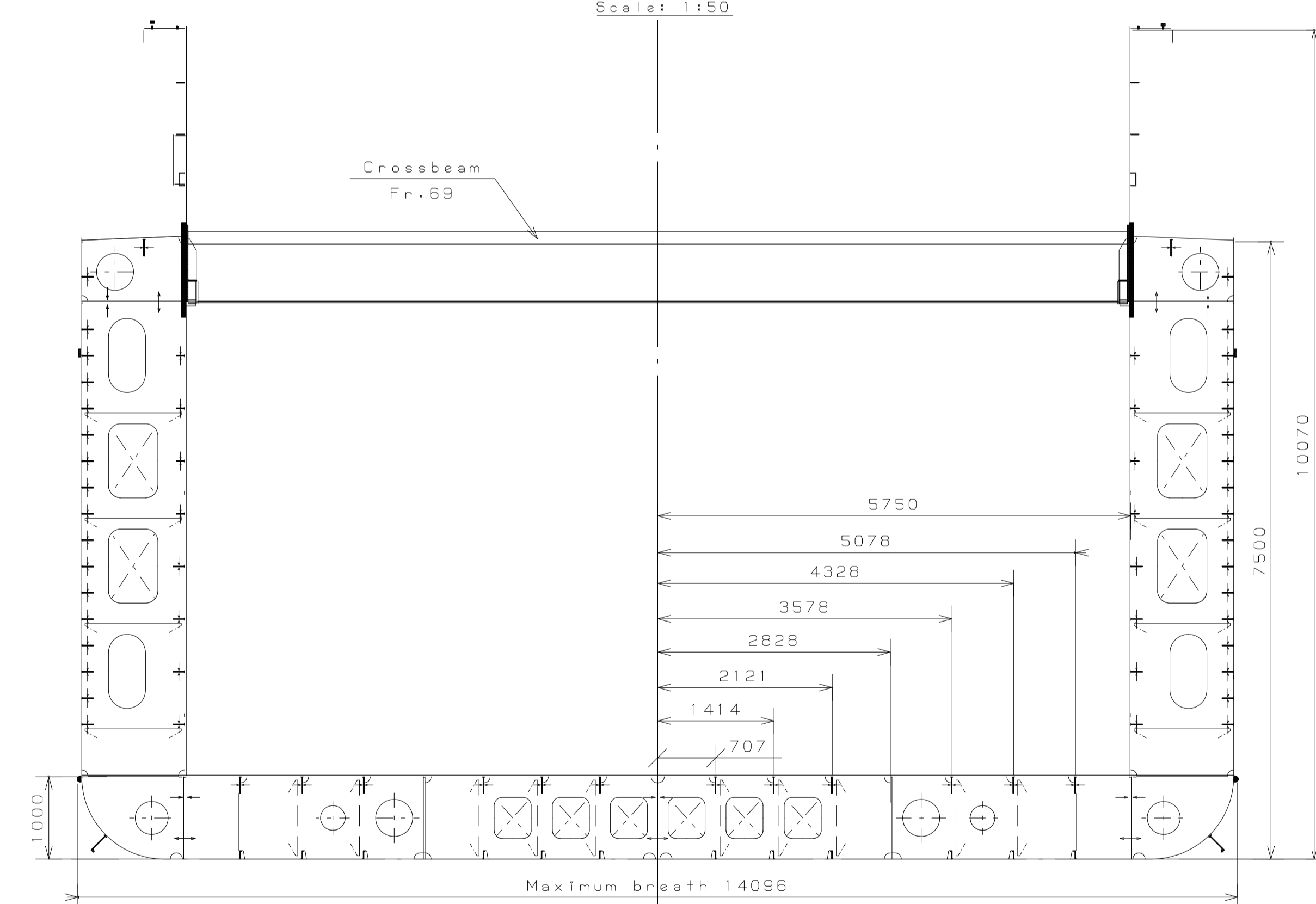
DETAIL DOCKINGPLUG



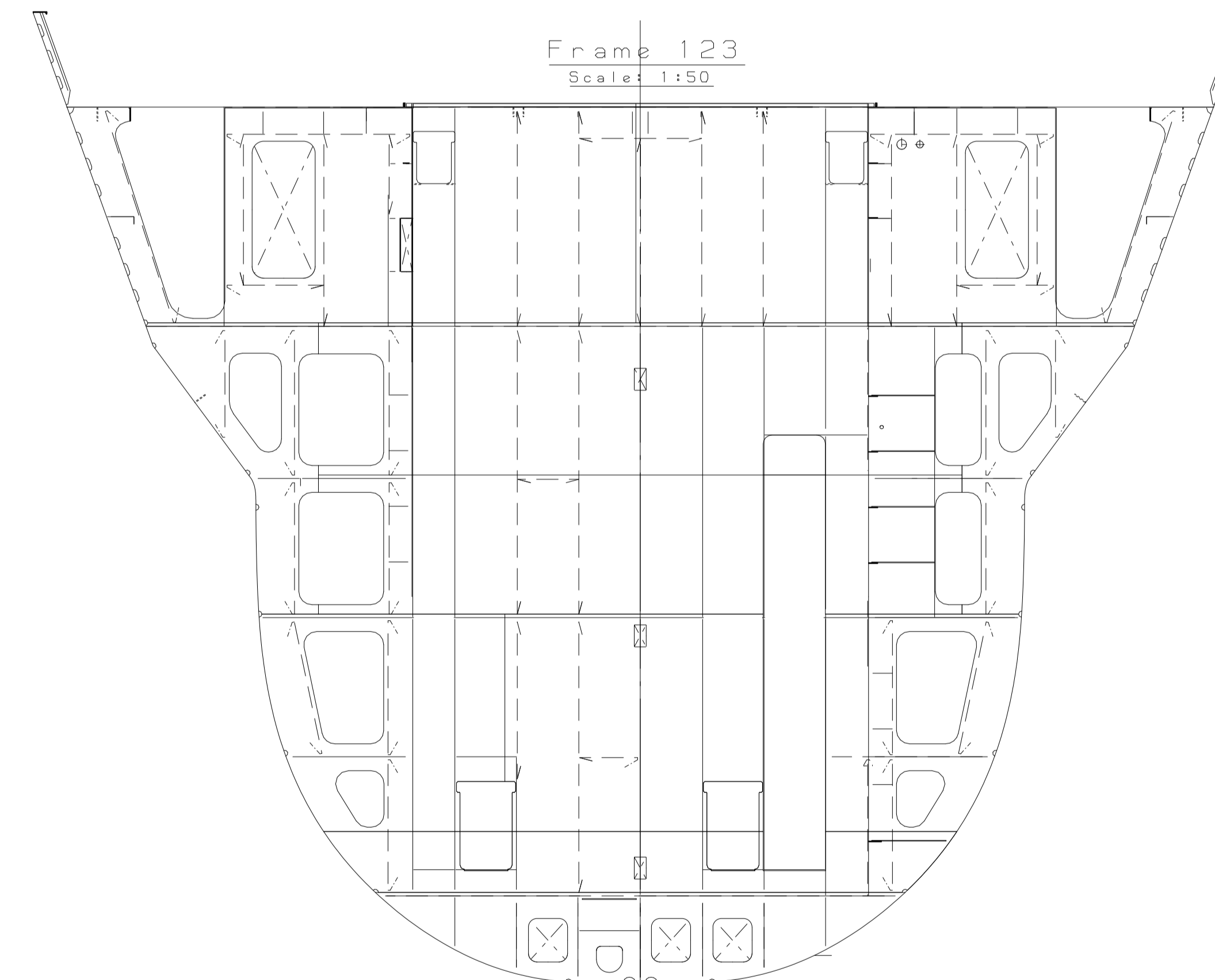
Frame 26
Scale: 1:50



Parallel midship
Scale: 1:50



Frame 123
Scale: 1:50

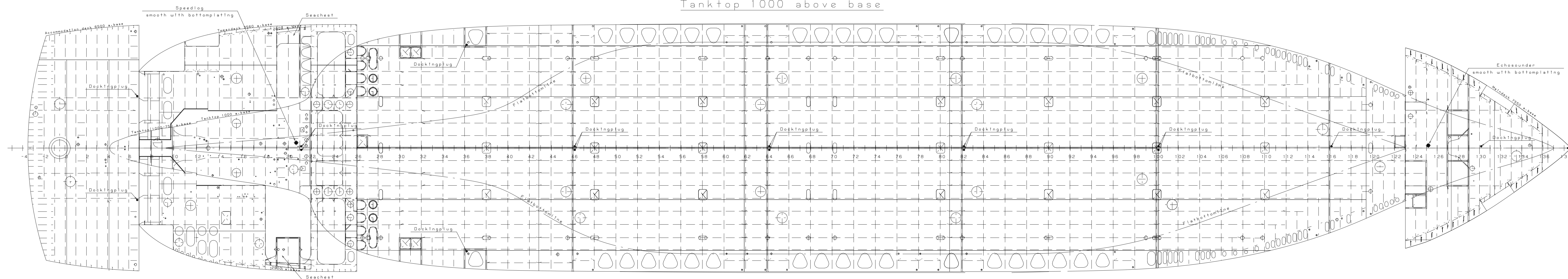


Anchor:
Posl TW 1575 Kg (2x)
Anchor chains:
Total length of anchor chains 16x27.5m.
Type of anchor chains: 36mm U3.
Propeller:
Diameter of propeller: 3200mm.
Total weight of propeller (hub+blades): 6793 KG.
Weight of 1 blade: 668 KG.
Weight of hub: 4121 KG.
Number of blades: 4
Propeller shaft:
Weight of propeller shaft: 2297 KG.
Length propeller shaft: 3992mm.
Electric shore power:
3x400V, 50Hz, 125A
35m connecting cable incl. 125 Amp CEE-plug.
Connection location: in engine room/behind
against bulkhead (Fr.8, 3550 above base) next to
main switch board.

Main particulars:


Loa 8978m
Lpp 8499m
B mid 1400m
T max 595m
H 750m
Deadweight 4500t

Tanktop 1000 above base



CLASS NOTATION
BUREAU VERITAS I + HULL + MACH
General cargo ship / Container ship
Unrestricted navigation
FINNISCH SWEDISCH ICE CLASS 1A

NOTES:
- Frame numbers welded on bilgeskeel and shell.
- every 10th frame, starting at frame 18 including frame 26 and 121.

DATE	OWNER				
	R.S.I.				
CLASS.	APPROVED BY		DATE		ALT.
ALTERATION	SHIPYARD FERUS SMIT B.V. 				
	WESTERBROEK				
	P.O. BOX 147 9800 AC NOORDLAND THE NETHERLANDS		Tel: 050-4842555 Telefax: 050-4842500		
	Docking plan				
NO.	DATE	28-04-04	DRAWN	LO	YARD NO 351/352
	SCALE	1:100	CHECKED		DRWG. NO 62002-B
	COPYRIGHT BY SHIPYARD FERUS SMIT B.V.				